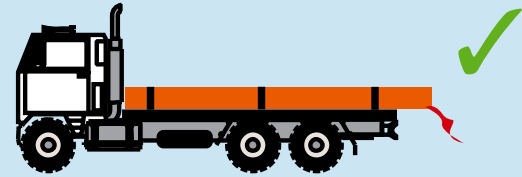
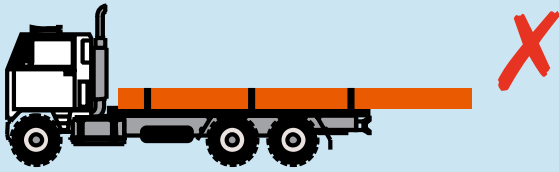
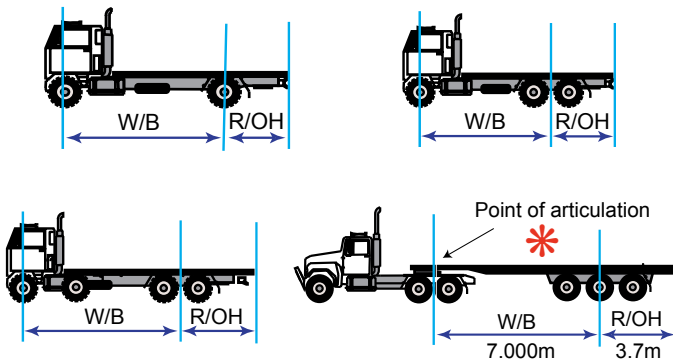


# Rear Overhang Limits for Cars and Trucks in Victoria



The maximum rear overhang of a rigid truck, including any load carried, is the lesser of 3.7 metres or 60% of the wheelbase, measured from the rear overhang line which is generally the centre line of the rear axle or axle group.

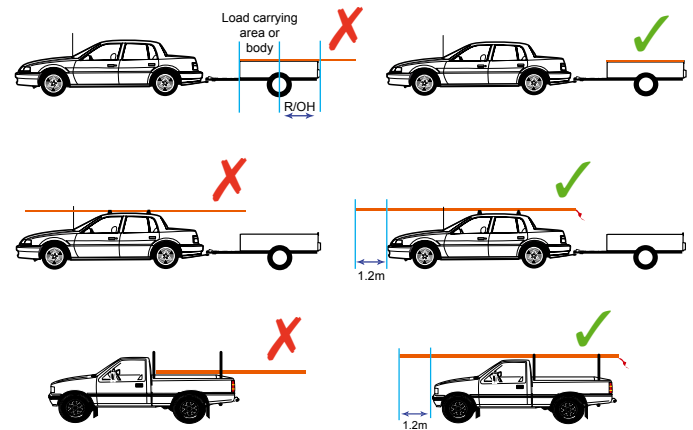
The overall length of a rigid truck must not exceed 12.5 metres (including any load). The overall length of a truck and trailer or prime mover and semi-trailer (including any load) must not exceed 19.0 metres.



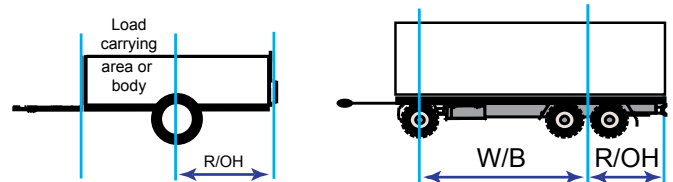
Eg: WB - 7.000m  
 x 60%  
 -----  
 Calculated R/OH = 4.20m

**However, the maximum allowable is 3.7 metres.**

Where a load projects more than 1.2 metres beyond the rear of a vehicle, or a projecting load can not be easily seen by a driver following the vehicle, a brightly coloured flag or piece of material of at least 30 x 30 centimetres must be attached to the rear of the load during the day and a red light attached during the night (*Regulation 416 of the Road Safety (Vehicles) Regulations 1999*).



The addition of a trailer does not allow a greater rear overhang on the towing vehicle.



## Pig and tag trailers

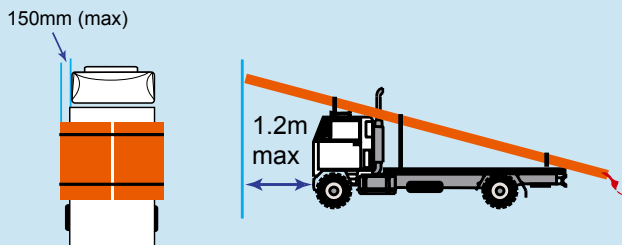
For pig and tag trailers the rear overhang must not exceed the length of the load carrying area or body ahead of the overhang line.

## Dog trailers

For dog trailers and semi-trailers the rear overhang must not exceed 60% of the distance from the point of articulation at the front of the trailer to the overhang line.

**However, the maximum allowable is 3.7 metres.**

## Side and forward projection limits



To reduce rear overhang, loads on motor vehicles may protrude up to 1.2 metres from the front of the vehicle.

A load may only project 150 millimetres from the outermost part of either side of a vehicle. However, the maximum overall width for a vehicle and any load is 2.5 metres.

### Legend

W/B Wheelbase  
 R/OH Rear Overhang  
 m Metres

### FURTHER INFORMATION

Detailed information about vehicle dimensions and any later versions of this publication can be obtained from the VicRoads website: [www.vicroads.vic.gov.au](http://www.vicroads.vic.gov.au)

### Notes

Illustrations are not to scale. For the purpose of this chart all axle groups are fitted with 4 tyres per axle, except steer axles.

If any of the requirements contained in this document cannot be met, the load must be placed on a more suitable vehicle.